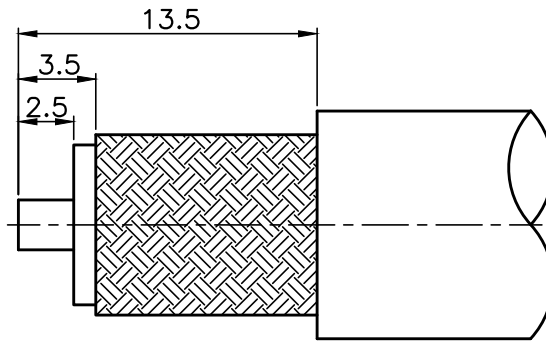
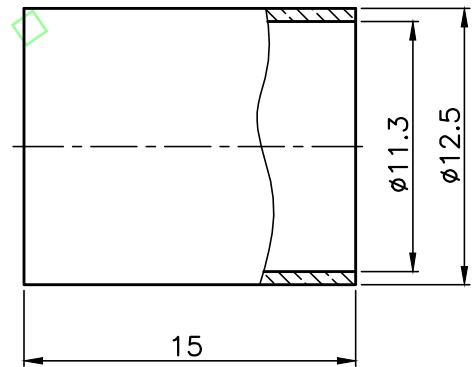
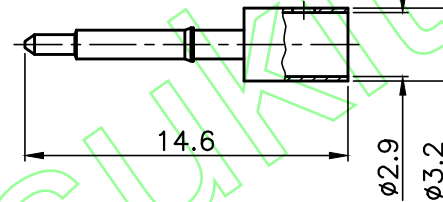
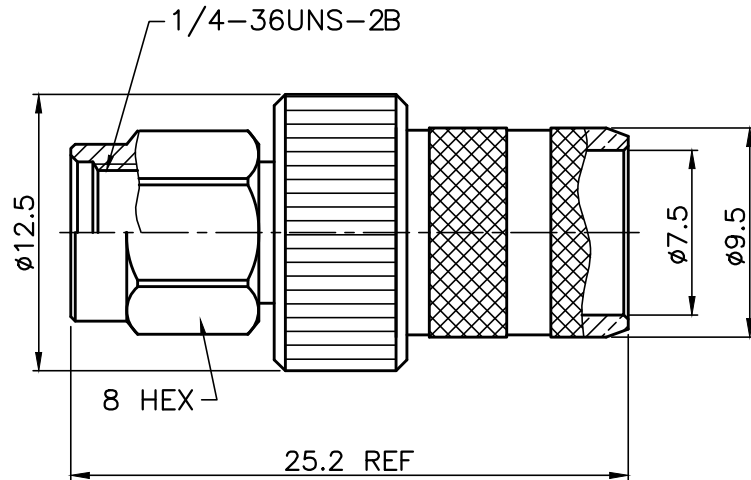


| REVISIONS | |
|-----------|--------------------|
| ISS | DESCRIPTION \ DATE |
| | |



CABLE STRIPPING DIM'S

RoHS COMPLIANT



up to 6GHz, VSWR 1.3

1. CRIMPED FERRULE
HEX CRIMP SIZE .429"
2. CONTACT PIN TO SOLDER

CONNECTORS CABLES



SPECIALISTS LTD.

| | | | | |
|--|--|-----------------|------------|--------|
| APRD: | UNLESS OTHERWISE SPECIFIED TOLERANCES 0.5-6 = ±0.2 >6-30 = ±0.4 >30-120 = ±0.6 >120-315 = ±1 >315-1000 = ±1.6 ANGLES = ±5° | FERRULE | BRASS | GOLD |
| CHKD: | | CONTACT PIN | BRASS | GOLD |
| DR: | | INSULATOR | TEFLON | WHITE |
| TITLE: SMA MALE CRIMP (FOR LMR400, RA519) | | BODY | BRASS | GOLD |
| PART NO: SMAPCR519 | 055 | RING | STAINALESS | NONE |
| DRAWING NO: | DATE: 05/08/18" | GASKET | SILICONE | RED |
| | UNIT: mm | SHELL | BRASS | GOLD |
| | SCALE: 3/1 | NO. DESCRIPTION | MATERIAL | FINISH |